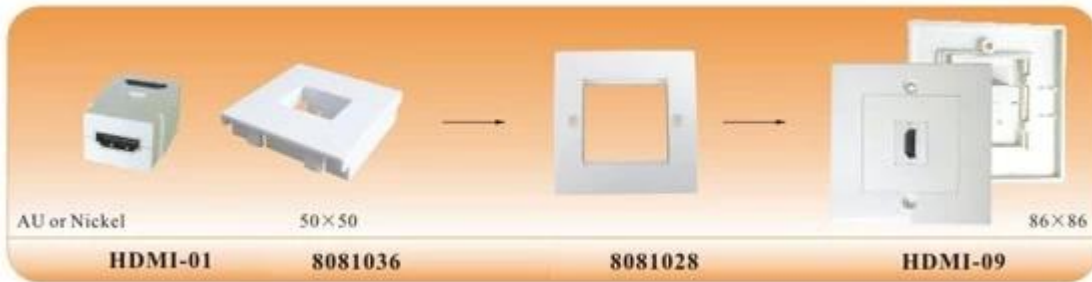


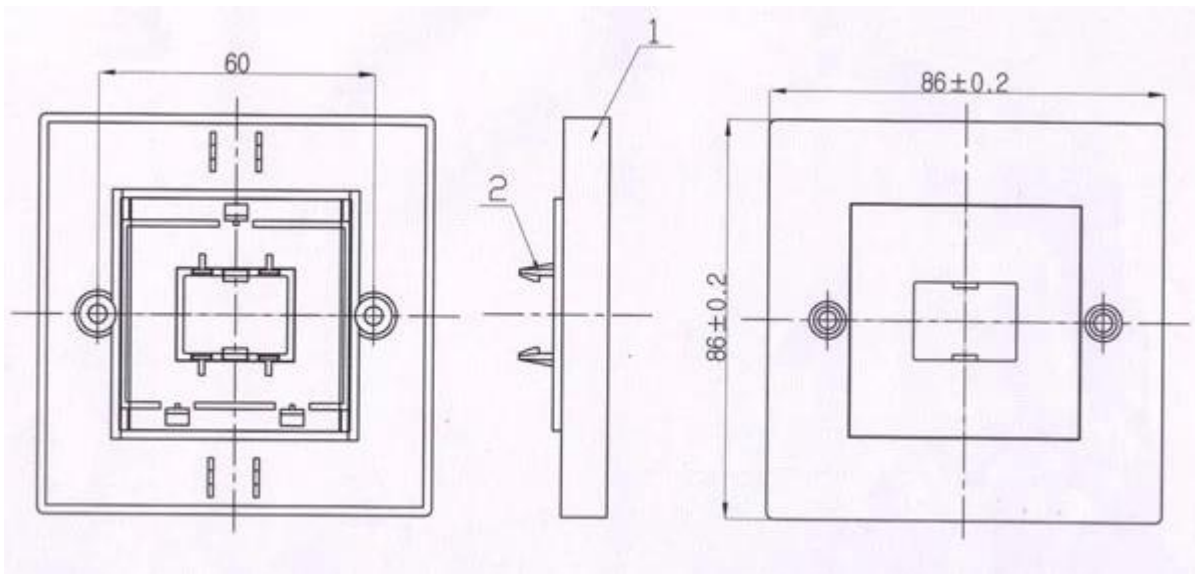
# Ein Port HDMI Wandplatte 86 Typ HD Frontplatte mit Schrauben Art.-Nr. : HDMI-09

Kombination Teile:8081028 + 8081036 + HDMI-01



## Produkt-Eigenschaften:

1. Suitable for all HDMI and DVI devices.
2. High-quality technical plastic, anti-collision, fire-resistant and safe.
3. Prevent fading, improve the durability of the wall plates.
4. Soft and flowing design lines and clear edges and corners.
5. Supports all 1080P High-Definition devices, HDCP supported.
6. Standard wall mounting hole, similar to a power outlet or light switch.



## Specs & amp; Beschreibung:

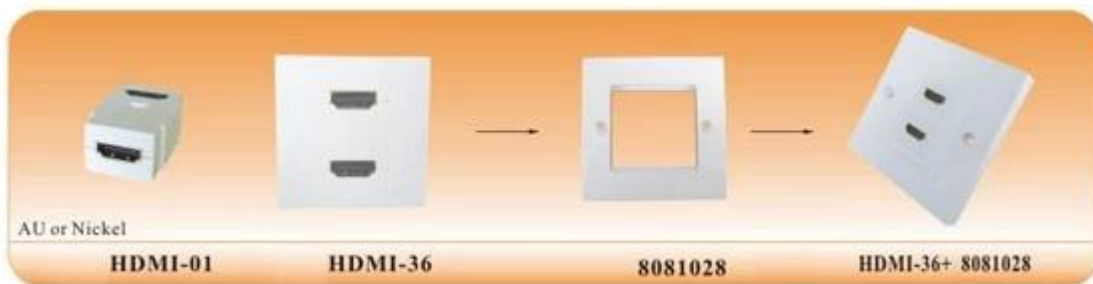
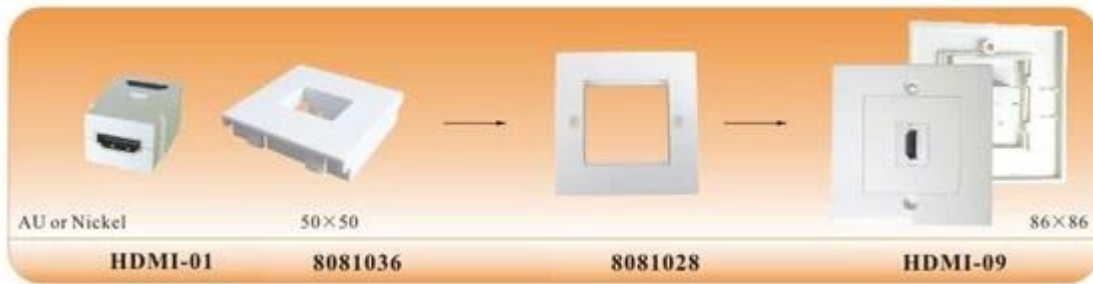
- \* Größe: 86 \* 86mm
- \* Mit zwei Schrauben
- \* Anschlüsse: HDMI 19 Pin Female, vergoldet.
- \* Unterstützt alle HDMI-Geräte, einschließlich 1.3b
- \* Unterstützt Auflösungen bis zu 1080p
- \* HDMI 19Pin Buchse auf HDMI 19Pin Weiblich
- \* VoltageDC 300V 10ms Arbeitsstrom DC 1Amp
- \* Conductive Widerstand 2 Ohms
- \* Isolationswiderstand 10M ohmsv

## Verpackung:

Menge: 1pcs / PE-Beutel,  
200pcs / ctn  
Meas: 38 \* 38 \* 26 CM  
Gewicht: 7,0 kg

Verschiedene Spezifikationen für Ihr choice ist diese Art nur für Großbritannien. Design.

- 1) 86 \* 86 mm Frontplatte
- 2) 80 \* 80 mm Frontplatte



## Why Choose US :

Our goal is to provide customers products of high quality, competitive price, and superior services.

1. Established in 2005, about 10 years of history;
2. Own main factories, supply diversification products and One stop service
3. Certificates of ISO9001, UL, CE, EMC, CQC, RoHS, Reach, etc.
4. Six years Gold member in Alibaba, Aliexpress etc
5. Production capability more than 100 thousands pcs/ month;
6. Monthly export more than 50 times delivery;
7. Exported to more than 20 countries and regions;
8. We provide an excellent combination between prices, quality & respond, delivery, after-sales!

## Order program

Selectech



send us inquiry



receive our quotation



negotiate details



mass production



sign contract / deposit



confirm the sample



cargo ready



balance / delivery



further cooperation