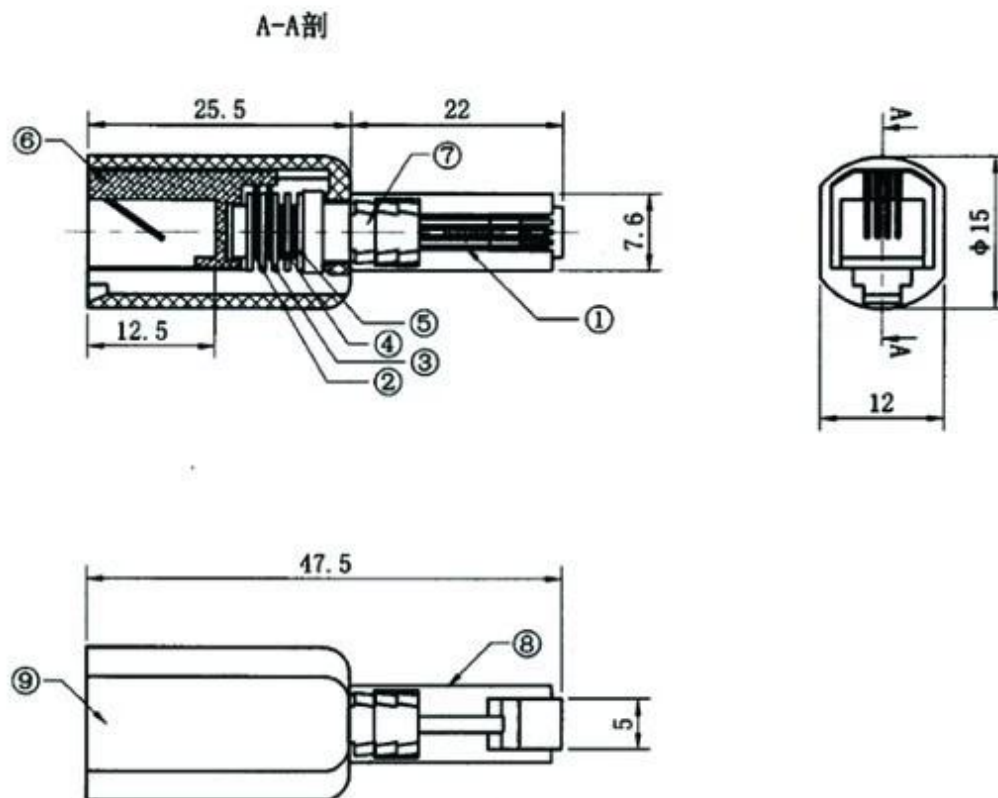


# Telefonkabel Untangler US-07L

## Produkt-Eigenschaften:

- \* Verwenden Sie am Mobilteil die Drehung um 360 Grad Hörer Chaos und Twist zu vermeiden.
- \* Verbesserung der Arbeitseffizienz
- \* Verschiedene Farben zur Verfügung
- \* Telefon Stand-by-Zeit verlängern
- \* Neuer Entwurf mit Kunden Logo-Druck.
- \* RoHS komplett



## SPecs & amp; Beschreibung:

- \* Typ: RJ11 4p4c,
- \* Vergolden: 3U / 15u ' / 30u ' / 50u'
- \* Lange Grifflänge: 22mm
- \* Verschiedene Farben zur Verfügung
- \* Neuer Entwurf mit Kunden Logo-Druck.
- \* RoHS abgeschlossen



## Produktverpackung:

- \* 1pcs / PE-Beutel
- \* 100pcs / box
- \* 1000pcs / 1000pcs / Karton;
- \* Kartongröße: 38x28x38cm;
- \* N.W: 7.5KG
- \* G.W: 9.5KG

## Bestellhinweis:

| No. | Product Photos  | Model NO.                                 | No. | Product Photos  | Model NO.                                | Ctn size | N.W/G.W   | Packing |
|-----|---|---|-----|---|--|----------|-----------|---------|
| 1   |  | SE-US07L<br>Long Handle<br>Length:22mm    | 3   |  | SE-US-07C Wire<br>Length:30mm            | 38x28x38 | 6.5/5.5kg | 1k/ctn  |
| 2   |  | SE-US07B<br>Short handle<br>Length:15.6mm | 4   |  | SE-US-06C handle<br>Length:14.5mm        | 38x28x38 | 7.5/8.5kg | 1k/ctn  |
| 5   |  | SE-US06B<br>Long handle<br>Length:19.8mm  | 6   |  | SE-US06<br>Short handle<br>Length:15.3mm | 38x28x38 | 7.5/8.5kg | 1k/ctn  |
| 7   |  | SE-US-81<br>handle Length:20.4mm          | 7   |  | SE-US-81<br>handle Length:20.4mm         | 38x28x38 | 7.5/8.5kg | 1k/ctn  |

## Why Choose US :

Our goal is to provide customers products of high quality, competitive price, and superior services.

- 1.Established in 2005, about 10 years of history;
- 2.Own main factories, supply diversification products and One stop service
- 3.Certificates of ISO9001, UL, CE, EMC,CQC,RoHS,Reach,etc.
- 4.Six years Gold member in Alibaba, Aliexpress etc
- 5.Production capability more than 100 thousands pcs/ month;
- 6.Monthly export more than 50 times delivery;
- 7.Exported to more than 20 countries and regions;
- 8.We provide an excellent combination between prices, quality & respond,delivery,after-sales!

