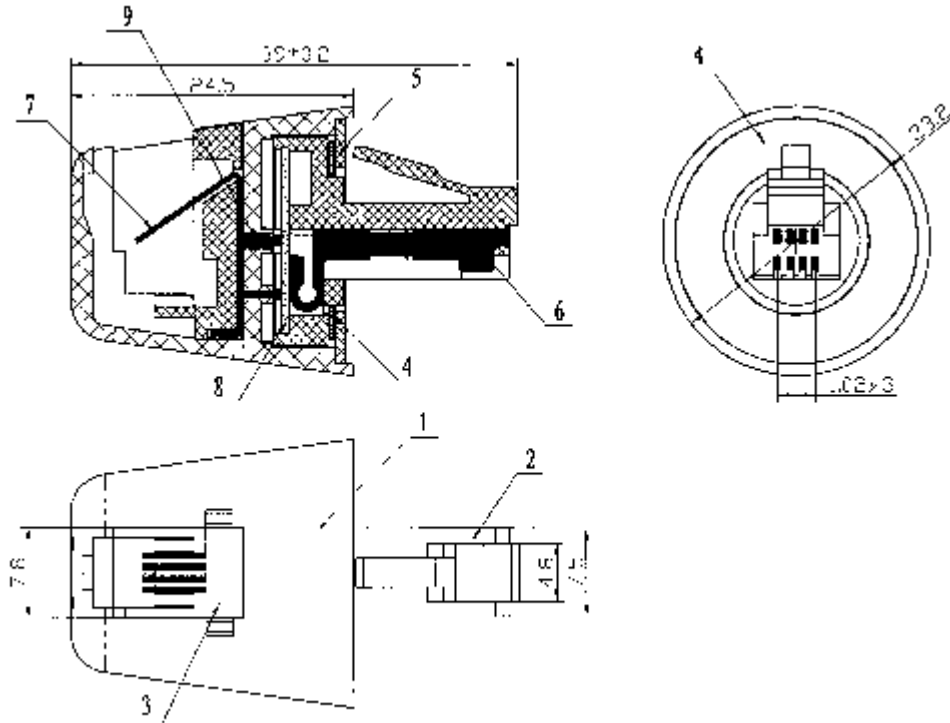


US-06C untangler

Technical Specifications

- * Material: ABS
- * Cable length: 360cm
- * Power: 10W
- * Voltage: 110V
- * Weight: 7.5kg
- * RoHS Compliant



Product Features

- * RJ11 4p4c
- * Cable length: 3U' / 15U' / 30U' / 50U'
- * Power: 10W
- * Voltage: 110V
- * Weight: 7.5kg
- * RoHS Compliant

Product Details

- * 1pcs / PE
- * 100/box
- * 1000/1000/box
- * Dimensions: 38x28x38cm
- * N.W: 7.5KGs
- * G.W: 9.5KGs

□□□□□□□□

No.	Product Photos	Model NO.	No.	Product Photos	Model NO.	Ctn size	N.W/G.W	Packing
1		SE-US07L Long Handle Length:22mm	3		SE-US-07C Wire Length:30mm	38x28x38	6.5/5.5kg	1k/ctn
2		SE-US07B Short handle Length:15.6mm	4		SE-US-06C handle Length:14.5mm	38x28x38	7.5/8.5kg	1k/ctn
5		SE-US06B Long handle Length:19.8mm	6		SE-US06 Short handle Length:15.3mm	38x28x38	7.5/8.5kg	1k/ctn
7		SE-US-81 handle Length:20.4mm	7		SE-US-81 handle Length:20.4mm	38x28x38	7.5/8.5kg	1k/ctn

Why Choose US :

Our goal is to provide customers products of high quality, competitive price, and superior services.

- 1.Established in 2005, about 10 years of history;
- 2.Own main factories, supply diversification products and One stop service
- 3.Certificates of ISO9001, UL, CE, EMC,CQC,RoHS,Reach,etc.
- 4.Six years Gold member in Alibaba, Aliexpress etc
- 5.Production capability more than 100 thousands pcs/ month;
- 6.Monthly export more than 50 times delivery;
- 7.Exported to more than 20 countries and regions;
- 8.We provide an excellent combination between prices, quality & respond,delivery,after-sales!

