

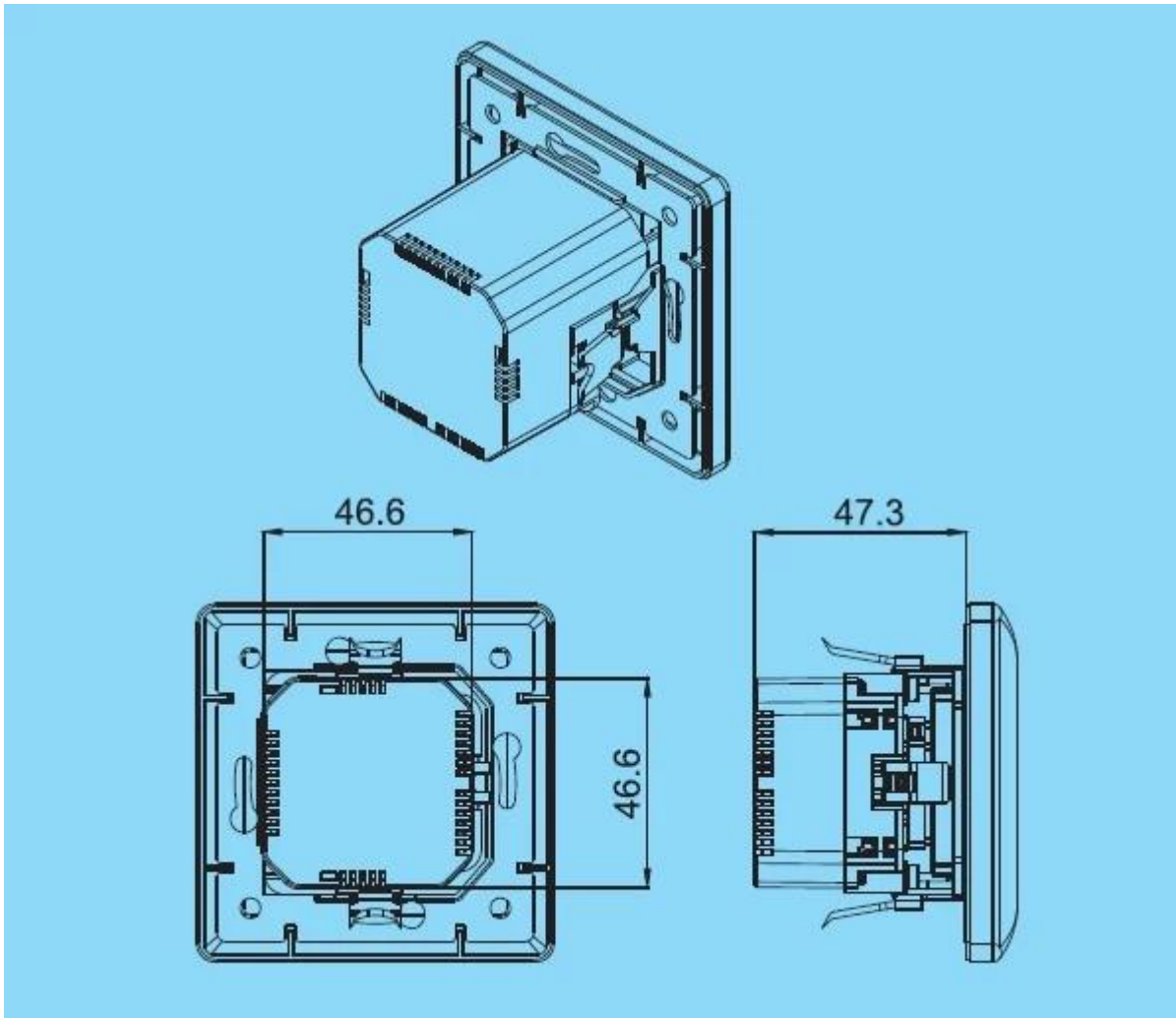


USB AC 16A 250V



Features

1. Safety protection
2. Surge protection
3. 2.4A USB
4. Support iPod, iPhone, iPad
5. OEM & A ODM
6. RoHS & CE



规格与参数

-AC输入电压100-250V AC 50-60Hz

- 额定输入电流100-250V AC 16A

-USB输出DC 5V 2.4A

-尺寸 80×80mm & 86×86mm

颜色/

Model	XJY-USB-43	XJY-USB-43B	XJY-USB-45	XJY-USB-45B
Size	80×80	80×80	86×86	86×86
USB output current	2.4A/5V			
AC input parameters	100-250V/AC 50-60Hz			
Electrical output parameters	100-250V/AC 16A			
Colour	White/Black			

000

00

* 1/ PE

* 500/38 * 38 * 32 cm

Why Choose US :

Our goal is to provide customers products of high quality, competitive price, and superior services.

- 1.Established in 2005, about 10 years of history;
- 2.Own main factories, supply diversification products and One stop service
- 3.Certificates of ISO9001, UL, CE, EMC,CQC,RoHS,Reach,etc.
- 4.Six years Gold member in Alibaba, Aliexpress etc
- 5.Production capability more than 100 thousands pcs/ month;
- 6.Monthly export more than 50 times delivery;
- 7.Exported to more than 20 countries and regions;
- 8.We provide an excellent combination between prices, quality & respond,delivery,after-sales!

