



USB-C PD

Wall Outlet



Product introduction

- Rohs compliant
- Compact package
- Ease of installation
- High quality
- Optimum performance
- FCC+ETL

SPECIFICATIONS

Model: XS-US-008-PD1

Input : 125V 60Hz

Output : US power socket+USB+Type-C

Color : white

Size : 103*45*45.5mm

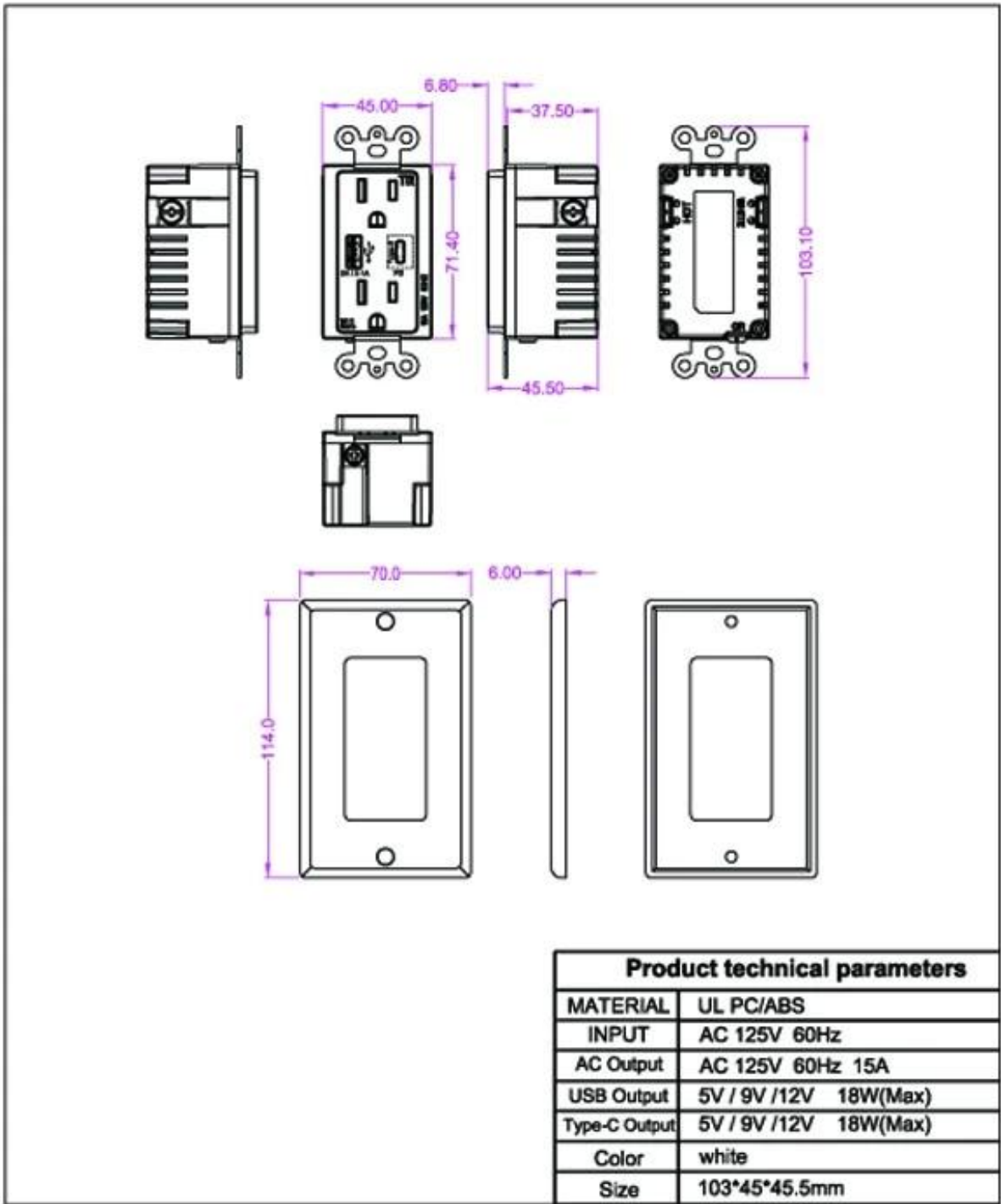
Weight : 135g



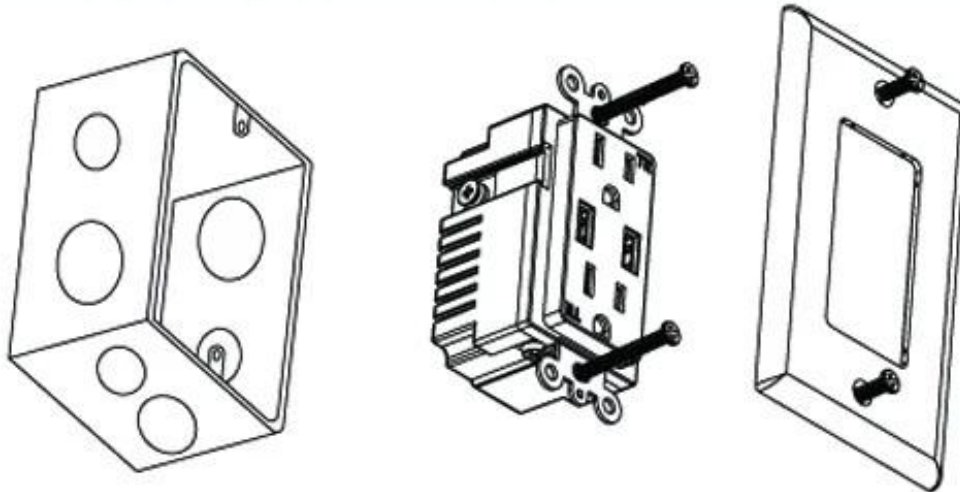
1. PC
2. Inside
- 3.

- 4. USB Type-C PD USB
- 6. USB 2400
- 7. iPod iPhone iPad MP3 Bluetooth GPS

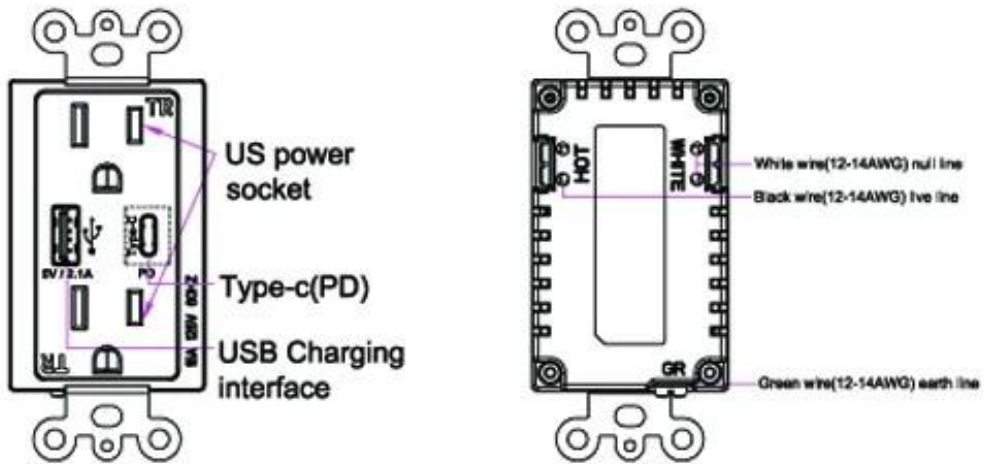
Plane drawing



Assembly Instructions



Functions indicator diagram&Wiring Diagram



□ □ □ □ □ □ **USB** □ □ □ □ □ □

Why Choose US :

Our goal is to provide customers products of high quality, competitive price, and superior services.

- 1.Established in 2005, about 10 years of history;
- 2.Own main factories, supply diversification products and One stop service
- 3.Certificates of ISO9001, UL, CE, EMC,CQC,RoHS,Reach,etc.
- 4.Six years Gold member in Alibaba, Aliexpress etc
- 5.Production capability more than 100 thousands pcs/ month;
- 6.Monthly export more than 50 times delivery;
- 7.Exported to more than 20 countries and regions;
- 8.We provide an excellent combination between prices, quality & respond,delivery,after-sales!

Order program

Selectech

