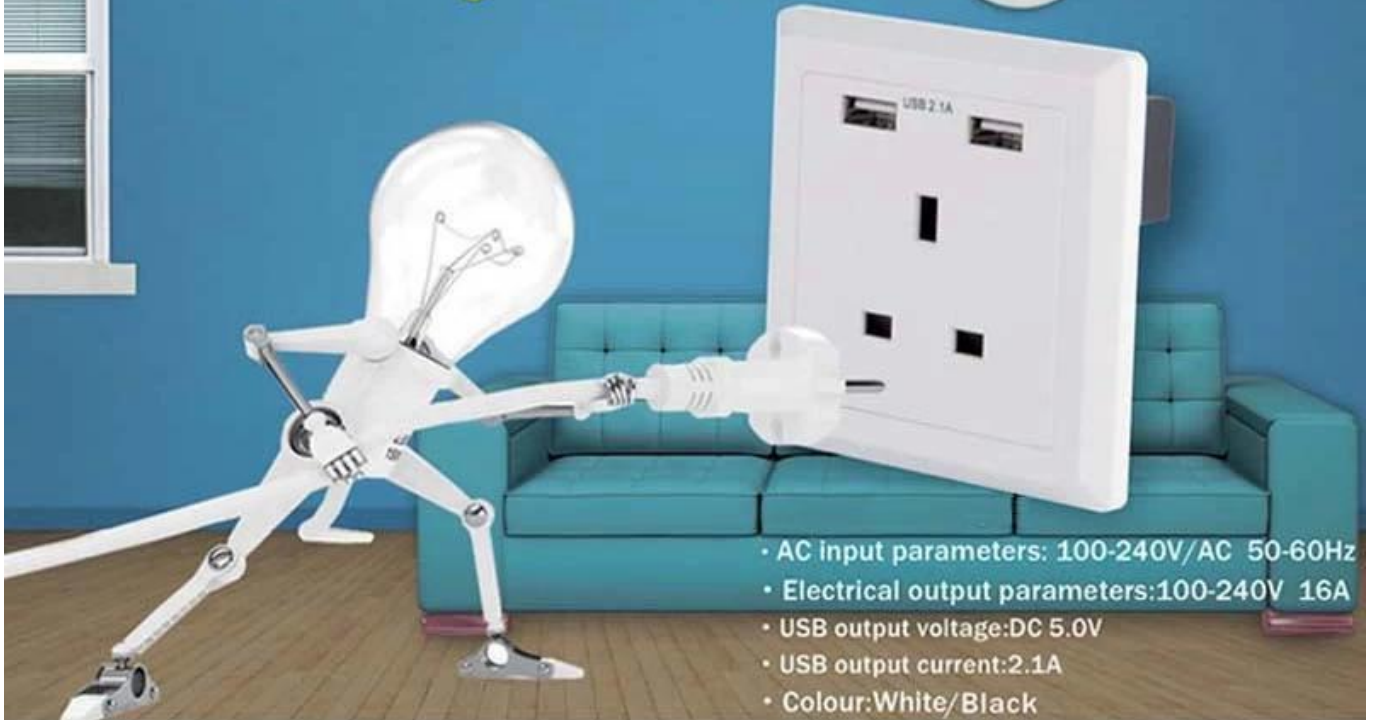


86x86 Series USB charger Wall Socket



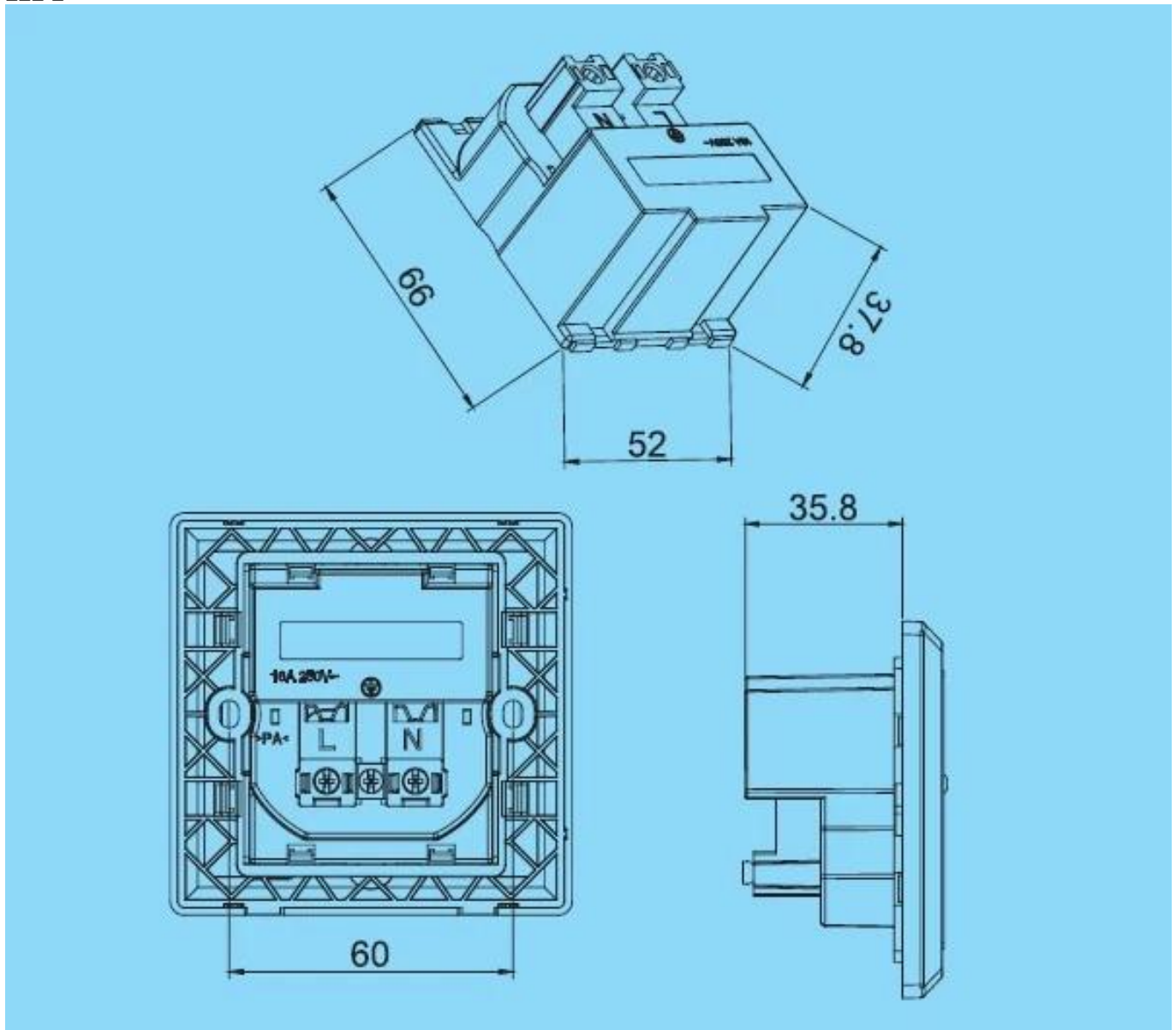
- AC Input parameters: 100-240V/AC 50-60Hz
- Electrical output parameters:100-240V 16A
- USB output voltage:DC 5.0V
- USB output current:2.1A
- Colour:White/Black

□□□□□□□□**USB**□□□□□□ AC□□□□□□ 16A 250V □□**USB**□□□□ □ c□□□□ **5V**
2.1A

Model	XJY-USB-22	XJY-USB-22B
Size	86×86	
USB output current	2.1A/5V	
AC input parameters	100-240V/AC 50-60Hz	
Electrical output parameters	100-240V/AC 16A	
Colour	White/Black	

产品特点

- AC输入电压100-250V AC 50-60Hz
- 额定输入电流100-250V AC 16A
- USB输出DC 5V 2.1A
- 尺寸 80×80mm & 86×86mm
-



□□□□□□□□□□ □□□□□

* 1□/ PE□□□

* 500□/□□□□□38 * 38 * 32 cm



XJY-USB-22



XJY-USB-22B



XJY-USB-23



XJY-USB-23B

□□□□□□□□ **USB** □□□□□□



Why Choose US :

Our goal is to provide customers products of high quality, competitive price, and superior services.

- 1.Established in 2005, about 10 years of history;
- 2.Own main factories, supply diversification products and One stop service
- 3.Certificates of ISO9001, UL, CE, EMC,CQC,RoHS,Reach,etc.
- 4.Six years Gold member in Alibaba, Aliexpress etc
- 5.Production capability more than 100 thousands pcs/ month;
- 6.Monthly export more than 50 times delivery;
- 7.Exported to more than 20 countries and regions;
- 8.We provide an excellent combination between prices, quality & respond,delivery,after-sales!

