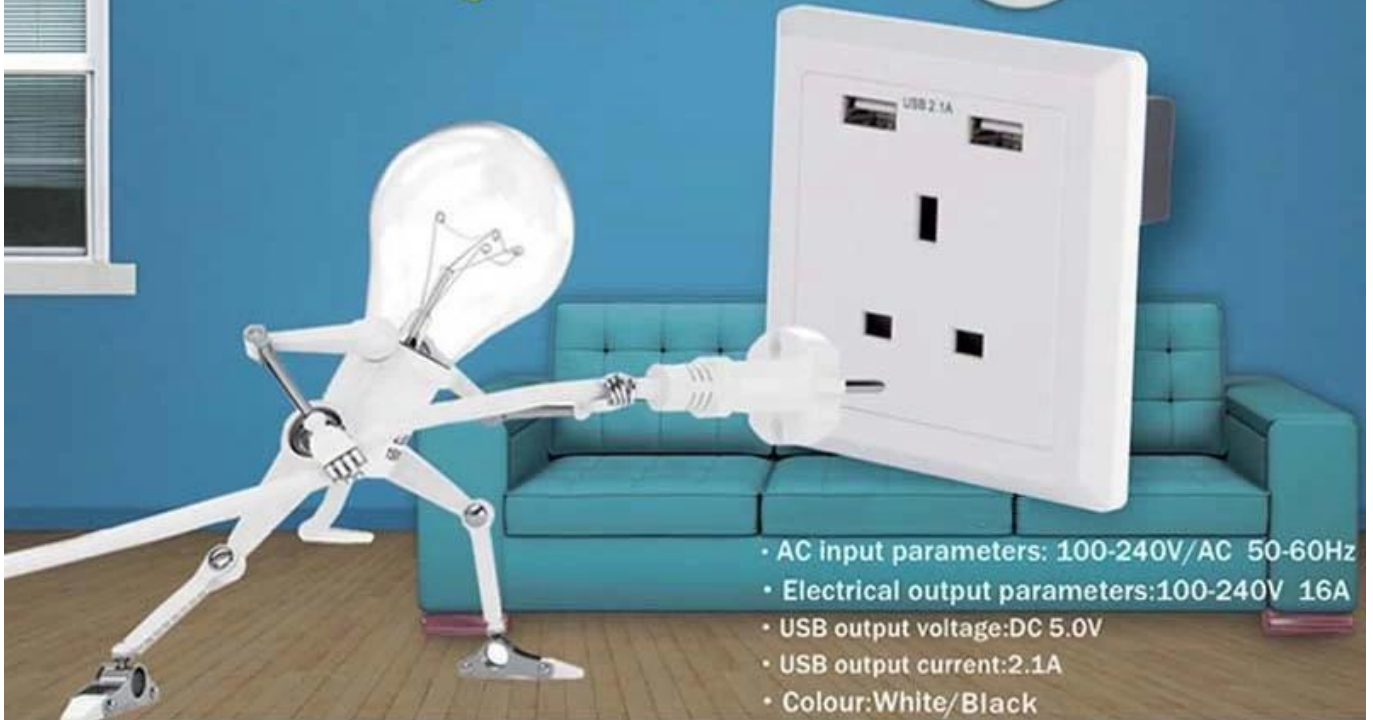


# 86x86 Series USB charger Wall Socket



- AC Input parameters: 100-240V/AC 50-60Hz
- Electrical output parameters:100-240V 16A
- USB output voltage:DC 5.0V
- USB output current:2.1A
- Colour:White/Black

□□□ □ □□□□ □□240V 16A □□ USB □□□ 86 \* 86mm □□□ □ □□ **5V 2.1A**



## USB 2.1A

### 特點:

1. 採用優質材料，品質保證。
2. 安全設計，防止過熱及過電。
3. 2.1A USB 輸出電流，充電快。
4. 適用：iPod, iPhone, iPad, 相機, 藍牙耳機, 行動電源。
5. OEM & ODM
6. RoHS, CE



**XJY-USB-23**



**XJY-USB-23B**

Model	XJY-USB-23	XJY-USB-23B
Size	86×86	
USB output current	2.1A/5V	
AC input parameters	100-240V/AC 50-60Hz	
Electrical output parameters	100-240V/AC 16A	
Colour	White/Black	

**□□ & □□:**

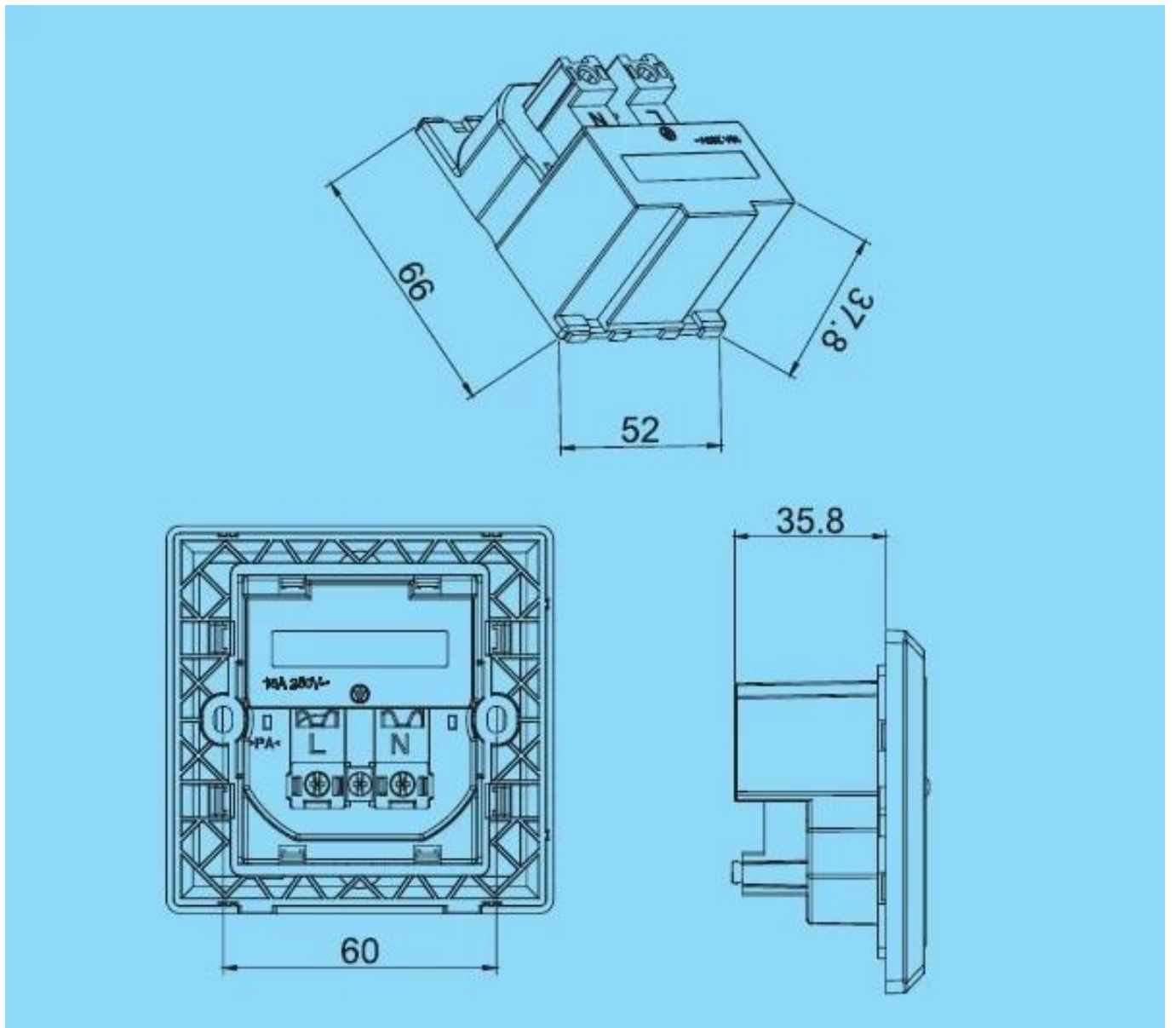
-AC □□ □□ □□ : 100-250V AC 50-60Hz

- □□ □□ □□ □□ : 100-250V AC 16A

-USB □□ : DC 5V 2.1A

-□□: 80 \* 80mm & 86 \* 86mm

- □□ : □□ / □□□



□□ :

\* 1 □ / PE □

\* 500 pcs / carton : 38 \* 38 \* 32 cm



**XJY-USB-22**



**XJY-USB-22B**



**XJY-USB-23**



**XJY-USB-23B**

□ □ **USB** □ □ □ □



## Why Choose US :

Our goal is to provide customers products of high quality, competitive price, and superior services.

- 1.Established in 2005, about 10 years of history;
- 2.Own main factories, supply diversification products and One stop service
- 3.Certificates of ISO9001, UL, CE, EMC,CQC,RoHS,Reach,etc.
- 4.Six years Gold member in Alibaba, Aliexpress etc
- 5.Production capability more than 100 thousands pcs/ month;
- 6.Monthly export more than 50 times delivery;
- 7.Exported to more than 20 countries and regions;
- 8.We provide an excellent combination between prices, quality & respond,delivery,after-sales!

