

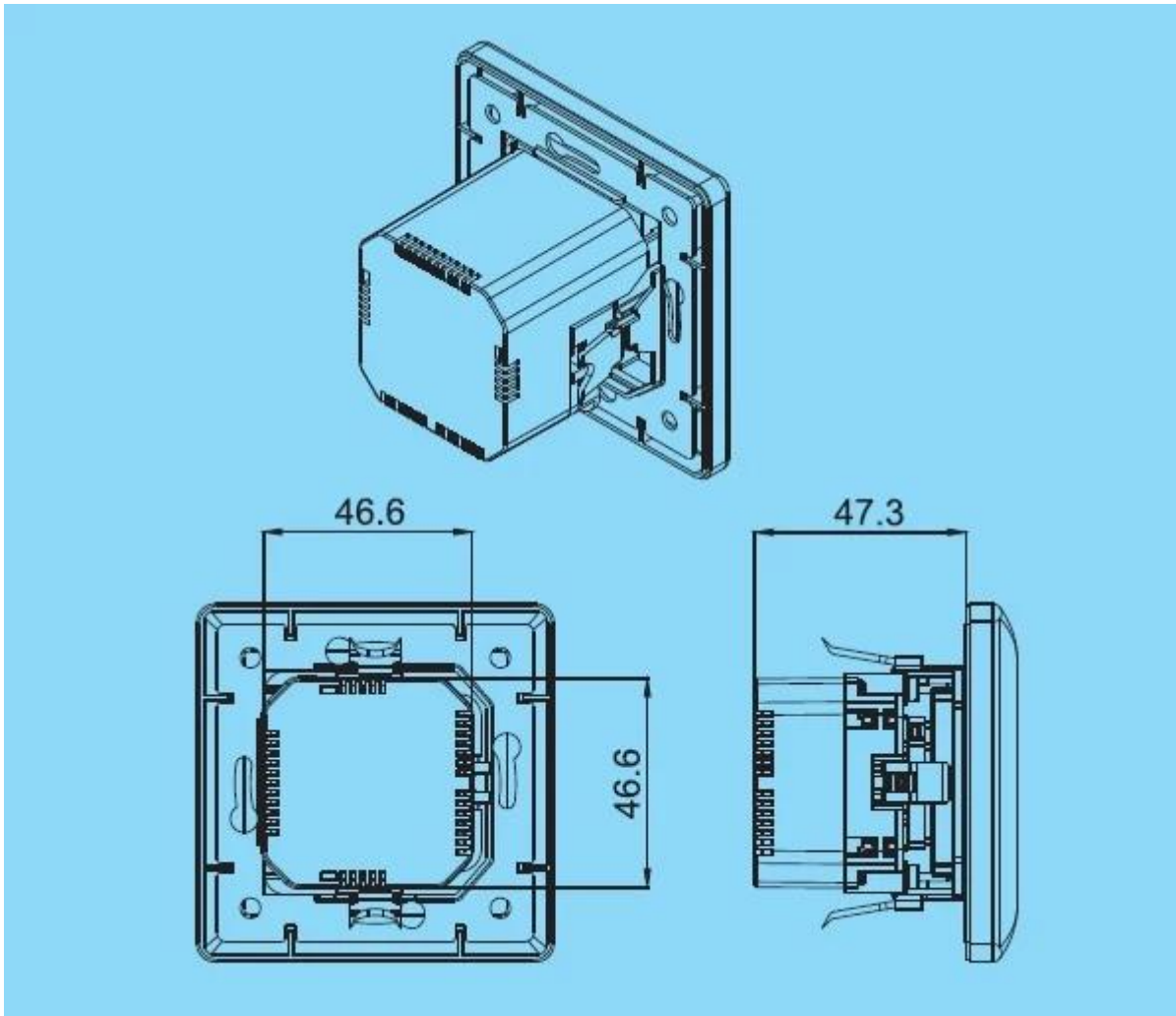


AC 16A 250V USB 2.4A



产品特点:

1. 采用优质材料，安全可靠。
2. 采用阻燃材料，防火等级高。
3. 2.4A USB 充电，充电速度快。
4. 兼容：iPod, iPhone, iPad, 三星, 小米, 华为等。
5. OEM & ODM
6. RoHS, CE



□□ & □□:

- AC □□ □□ □□ : 100-250V AC 50-60Hz
- □□ □□ □□ □□ : 100-250V AC 16A
- USB □□ : DC 5V 2.4A
- : 80 * 80mm & 86 * 86mm
- □□ : □□ / □□□

Model	XJY-USB-43	XJY-USB-43B	XJY-USB-45	XJY-USB-45B
Size	80×80	80×80	86×86	86×86
USB output current	2.4A/5V			
AC input parameters	100-250V/AC 50-60Hz			
Electrical output parameters	100-250V/AC 16A			
Colour	White/Black			

□□ :

- * 1 □ / PE □
- * 500 pcs / carton : 38 * 38 * 32 cm



Why Choose US :

Our goal is to provide customers products of high quality, competitive price, and superior services.

- 1.Established in 2005, about 10 years of history;
- 2.Own main factories, supply diversification products and One stop service
- 3.Certificates of ISO9001, UL, CE, EMC,CQC,RoHS,Reach,etc.
- 4.Six years Gold member in Alibaba, Aliexpress etc
- 5.Production capability more than 100 thousands pcs/ month;
- 6.Monthly export more than 50 times delivery;
- 7.Exported to more than 20 countries and regions;
- 8.We provide an excellent combination between prices, quality & respond,delivery,after-sales!

