

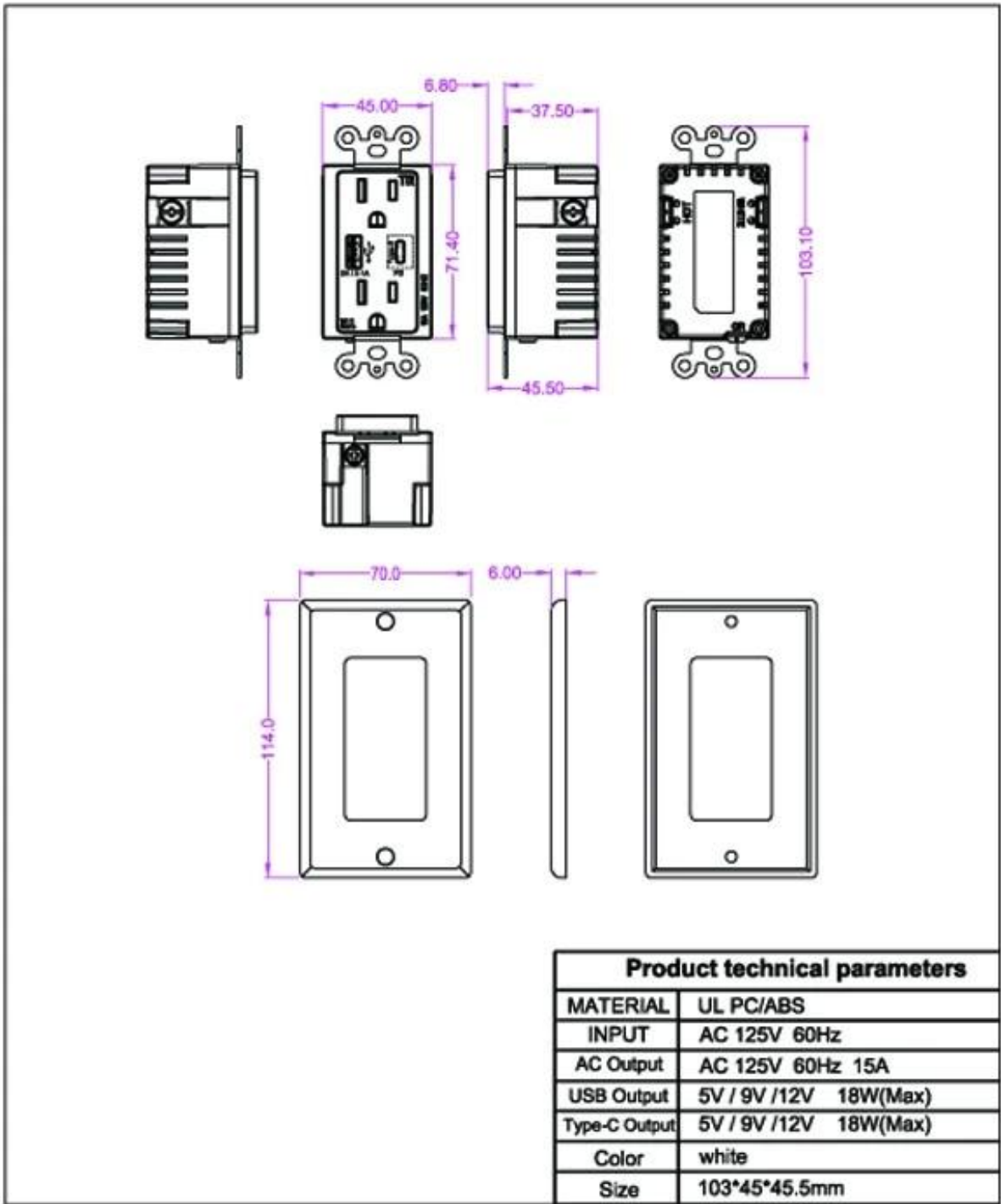


USB 3.0 充電ポート USB-C PD



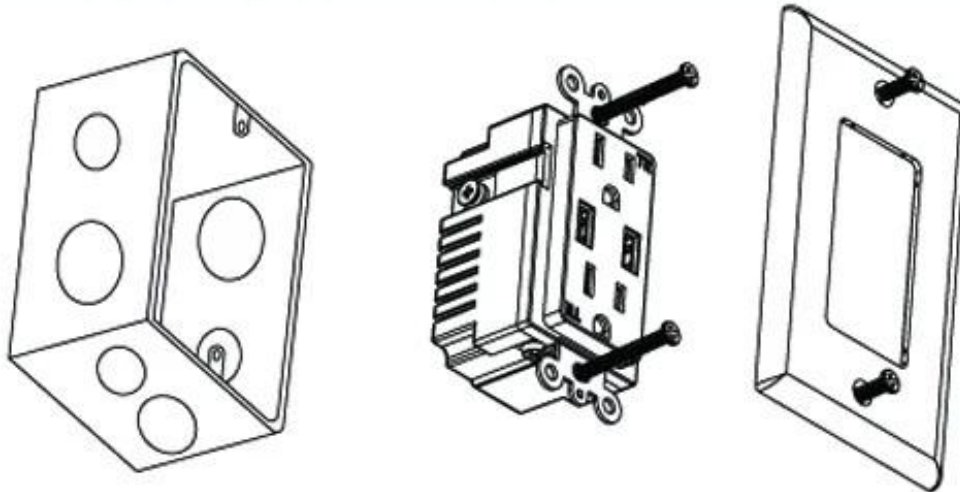
- 4.USB 2.0 / Type C ports, PD support, USB data ports support Ethernet.
- 6.USB 2.0 2400 mA, USB 2.0 1.5A.
- 7.Compatibility : iPod, iPhone, iPad, Android, MP3 Bluetooth speaker, GPS & more.

## Plane drawing

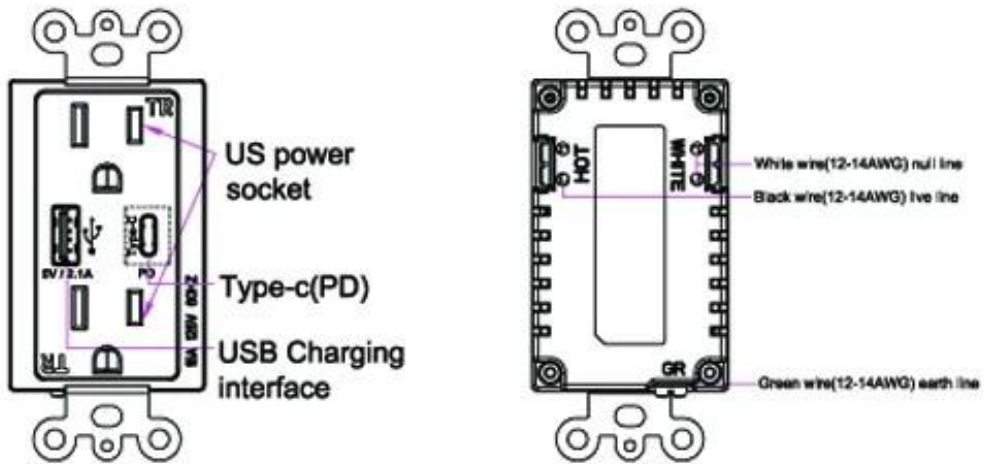


Product technical parameters	
MATERIAL	UL PC/ABS
INPUT	AC 125V 60Hz
AC Output	AC 125V 60Hz 15A
USB Output	5V / 9V /12V 18W(Max)
Type-C Output	5V / 9V /12V 18W(Max)
Color	white
Size	103*45*45.5mm

# Assembly Instructions



# Functions indicator diagram&Wiring Diagram



□ □ : □ □ □ □ **USB** □ □ □



## Why Choose US :

Our goal is to provide customers products of high quality, competitive price, and superior services.

- 1.Established in 2005, about 10 years of history;
- 2.Own main factories, supply diversification products and One stop service
- 3.Certificates of ISO9001, UL, CE, EMC,CQC,RoHS,Reach,etc.
- 4.Six years Gold member in Alibaba, Aliexpress etc
- 5.Production capability more than 100 thousands pcs/ month;
- 6.Monthly export more than 50 times delivery;
- 7.Exported to more than 20 countries and regions;
- 8.We provide an excellent combination between prices, quality & respond,delivery,after-sales!

### Order program

Selectech

