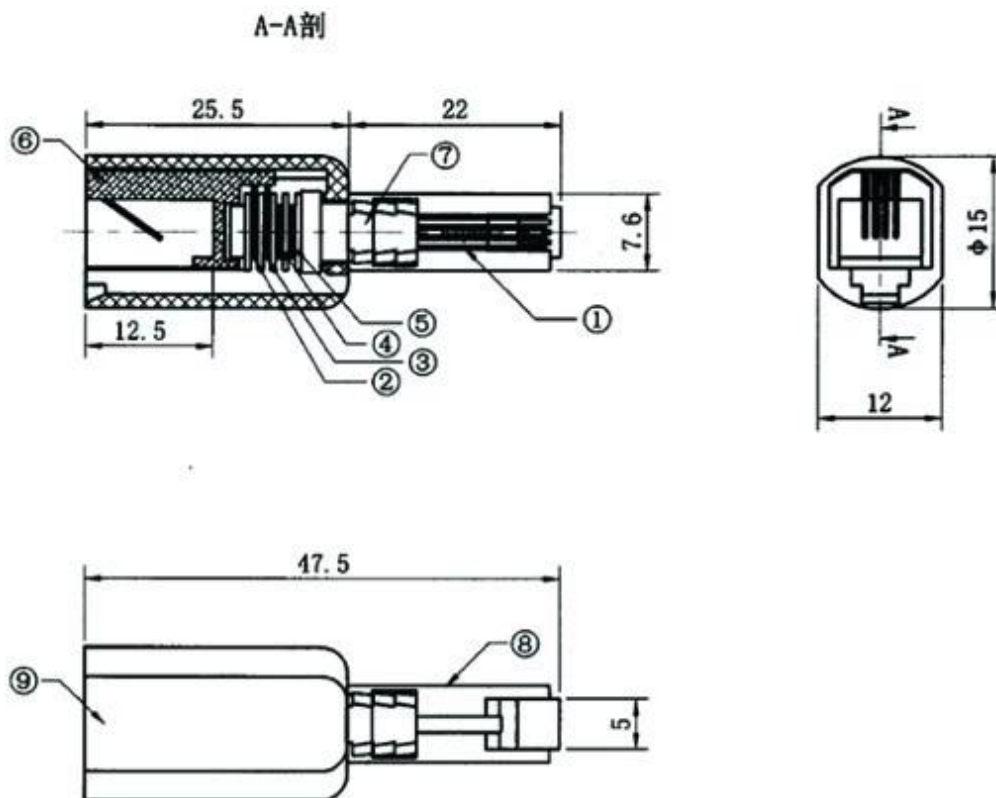


US-07L untangler □□ □□

□□ □□:

- * □□□□ □□, 360□□ □□ □□ □□□□ □□□□ □□ □□.
- * □□ □□ □□
- * □□□ □□□ □□□ □
- * □□ □□ □□□□ □□
- * □□□ □□ □□□ □□ □□□□.
- * RoHS □□ □□□□



□□□□ & A; □□:

- * □□ : RJ11□ 4p4c,
- * □□ □□ : 3U ' / 15U " / 30U" / 50U'
- * □ □□□ □□ : 22mm
- * □□□ □□□ □□□ □
- * □□□ □□ □□□ □□ □□□□.
- * RoHS □□ □□□□



□□ □□:

- * 1PCS / PE □□
- * 100PCS / □□
- * 1000PCS / 1000PCS / □□;
- * □□ □□ : 38x28x38cm;
- * N.W : 7.5KG
- * G.W : 9.5KG

□□□□ □□ :

No.	Product Photos	Model NO.	No.	Product Photos	Model NO.	Ctn size	N.W/G.W	Packing
1		SE-US07L Long Handle Length:22mm	3		SE-US-07C Wire Length:30mm	38x28x38	6.5/5.5kg	1k/ctn
2		SE-US07B Short handle Length:15.6mm	4		SE-US-06C handle Length:14.5mm	38x28x38	7.5/8.5kg	1k/ctn
5		SE-US06B Long handle Length:19.8mm	6		SE-US06 Short handle Length:15.3mm	38x28x38	7.5/8.5kg	1k/ctn
7		SE-US-81 handle Length:20.4mm	7		SE-US-81 handle Length:20.4mm	38x28x38	7.5/8.5kg	1k/ctn

Why Choose US :

Our goal is to provide customers products of high quality, competitive price, and superior services.

- 1.Established in 2005, about 10 years of history;
- 2.Own main factories, supply diversification products and One stop service
- 3.Certificates of ISO9001, UL, CE, EMC,CQC,RoHS,Reach,etc.
- 4.Six years Gold member in Alibaba, Aliexpress etc
- 5.Production capability more than 100 thousands pcs/ month;
- 6.Monthly export more than 50 times delivery;
- 7.Exported to more than 20 countries and regions;
- 8.We provide an excellent combination between prices, quality & respond,delivery,after-sales!

