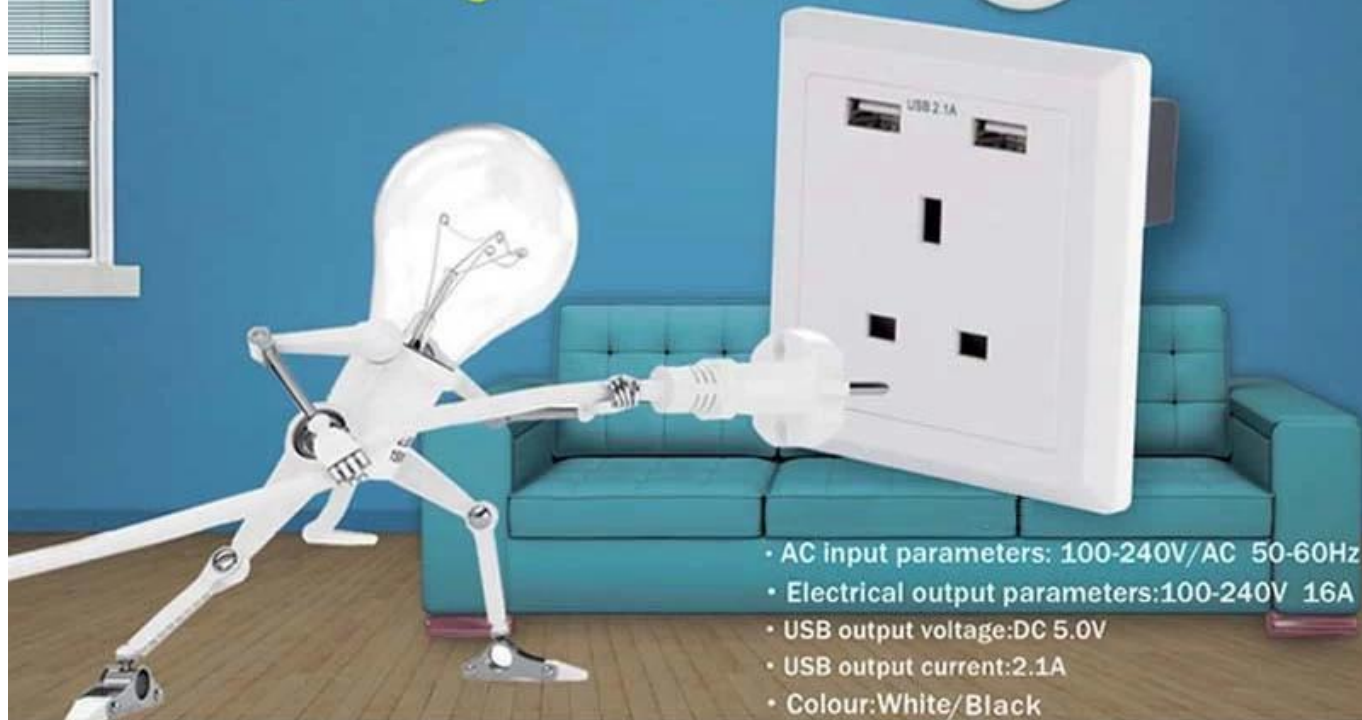


86x86 Series USB charger Wall Socket



- AC Input parameters: 100-240V/AC 50-60Hz
- Electrical output parameters:100-240V 16A
- USB output voltage:DC 5.0V
- USB output current:2.1A
- Colour:White/Black

USB AC 16A 250V USB 5V 2.1A



產品特點

產品特點:

1. 採用優質材料，安全可靠，防火阻燃。
2. 採用優質材料，品質優良，耐用。
3. 2.1A USB 充電速度更快。
4. 適用：iPod, iPhone, iPad, 相機, 手機, 平板等。
5. OEM & ODM
6. RoHS, CE

| Model | XJY-USB-22 | XJY-USB-22B |
|------------------------------|---------------------|-------------|
| Size | 86×86 | |
| USB output current | 2.1A/5V | |
| AC input parameters | 100-240V/AC 50-60Hz | |
| Electrical output parameters | 100-240V/AC 16A | |
| Colour | White/Black | |

□□ & □□:

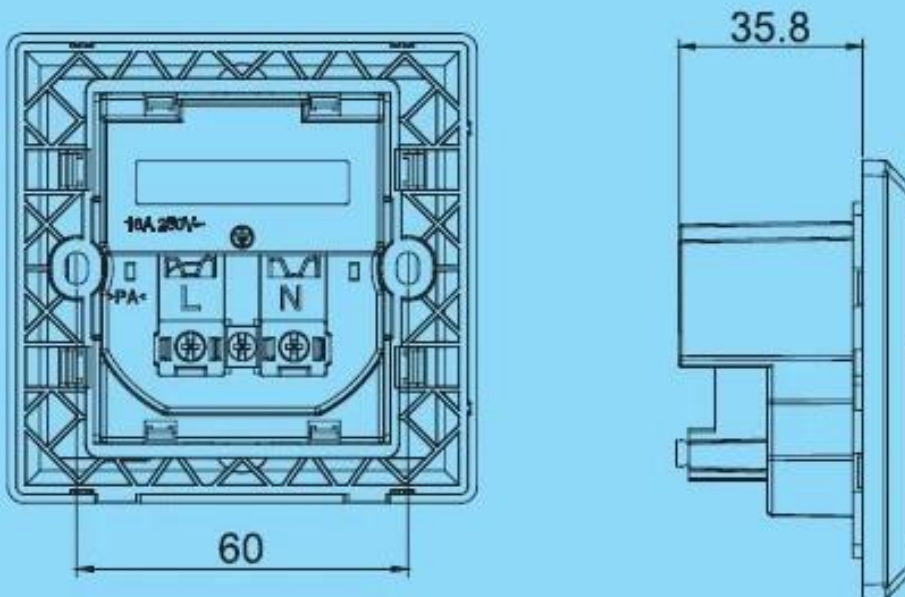
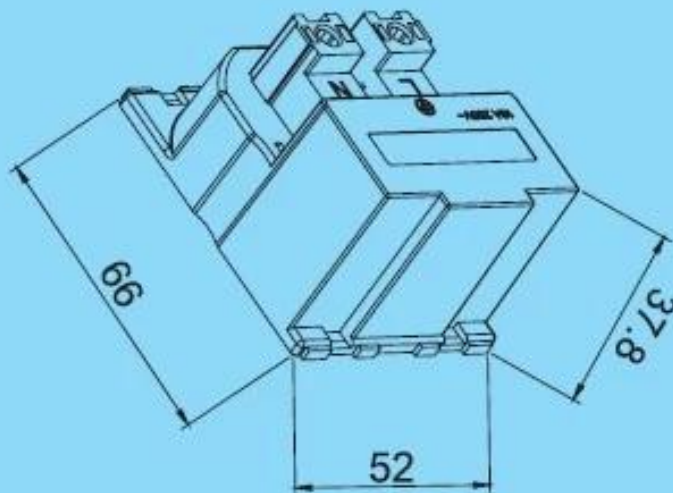
-AC □□ □□ □□ : 100-250V AC 50-60Hz

- □□ □□ □□ □□ : 100-250V AC 16A

-USB □□ : DC 5V 2.1A

-□□: 80 * 80mm & 86 * 86mm

- □□ : □□ / □□□



□□ □ □□ □□ □□ :

* 1 □ / PE □

* 500 pcs / carton : 38 * 38 * 32 cm



XJY-USB-22



XJY-USB-22B



XJY-USB-23



XJY-USB-23B

□□ □□ **USB** □□ □□□



Why Choose US :

Our goal is to provide customers products of high quality, competitive price, and superior services.

- 1.Established in 2005, about 10 years of history;
- 2.Own main factories, supply diversification products and One stop service
- 3.Certificates of ISO9001, UL, CE, EMC,CQC,RoHS,Reach,etc.
- 4.Six years Gold member in Alibaba, Aliexpress etc
- 5.Production capability more than 100 thousands pcs/ month;
- 6.Monthly export more than 50 times delivery;
- 7.Exported to more than 20 countries and regions;
- 8.We provide an excellent combination between prices, quality & respond,delivery,after-sales!

